

G120-19 Concealed Hinge

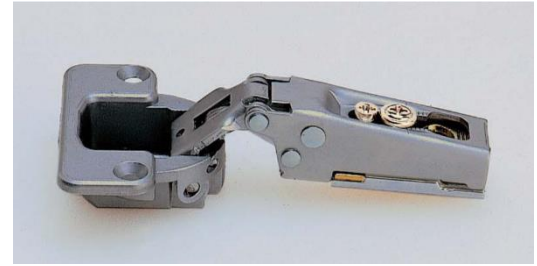
120° opening · 19 mm overlay · Overlay 14 ~ 19 mm
Door thickness 17 ~ 20 mm

Features

- Screw mount

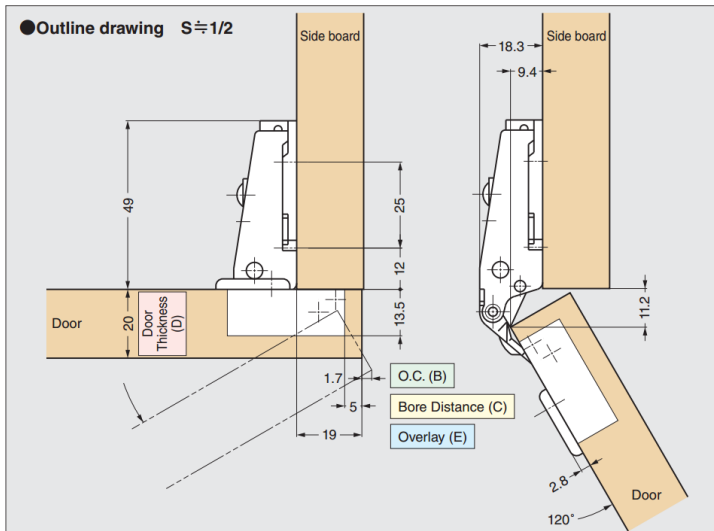
Sold Separately

- Mounting plate (G100 series)



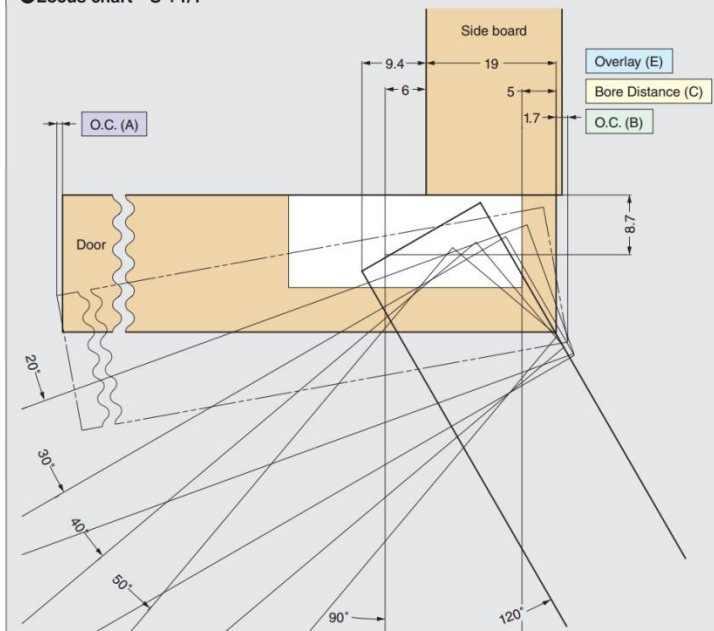
Above picture shows concealed hinge + mounting plate (sold separately)

Part No.	Type	Material	Finish
G120-34/19	Without Catch	Body: Steel Cup: Zinc Alloy (ZDC)	Chrome
G120-C34/19	With Catch		



Drawing above is G120-34/19 or G120-C34/19 on to Mounting Plate G100-03A: Bore Distance 5 mm, Door Thickness 20 mm and 19 mm Overlay.

● Locus chart S ≅ 1/1



Drawing above is Bore Distance 5 mm, Door Thickness 20 mm, Side Board Thickness 20 mm and 19 mm Overlay.

■ Bore Distance (C)

Bore Distance (C)	3	4	5
Overlay (E)	17	18	19

For standard type mounting plate 0 mm thickness.
Turning the overlay adjustment screw or using distance plate (2 mm thickness) to adjust overlay (Max. - 6 mm).

■ Opening Clearance (O.C.)

Clearances for door edge O.C. (A) and hinge side O.C. (B) are necessary. O.C. (A) and (B) change depending on door thickness and bore distance (C). Refer to locus chart and tables below when designing cabinets.

■ O.C. (B)

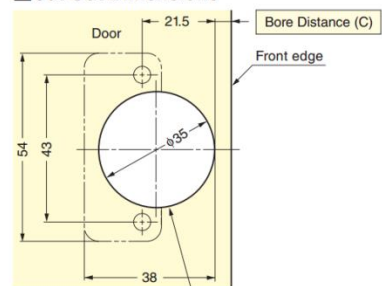
Door Thickness (D)	Bore Distance (C)		
	3	4	5
17	1.1	1.1	1.1
18	1.3	1.3	1.3
19	1.5	1.5	1.5
20	2.7	2.0	1.7
21	4.5	3.7	2.7
22	6.5	5.5	4.5
O.C. (B)			

Please refer to the locus chart if door thickness is over 20 mm.

■ O.C. (A)

Door Thickness (D)	Door Width			
	300	400	500	600
20	0.1	0.1	0.1	0.1
O.C. (A)				

■ Cut Out Dimensions



● Recommended screw

Size 3.5 raised countersunk head tapping screw or wood screw.

G120-14 Concealed Hinge

120° opening · 14 mm overlay · Overlay 9 ~ 14 mm
Door thickness 17 ~ 20 mm

Features

- Screw mount

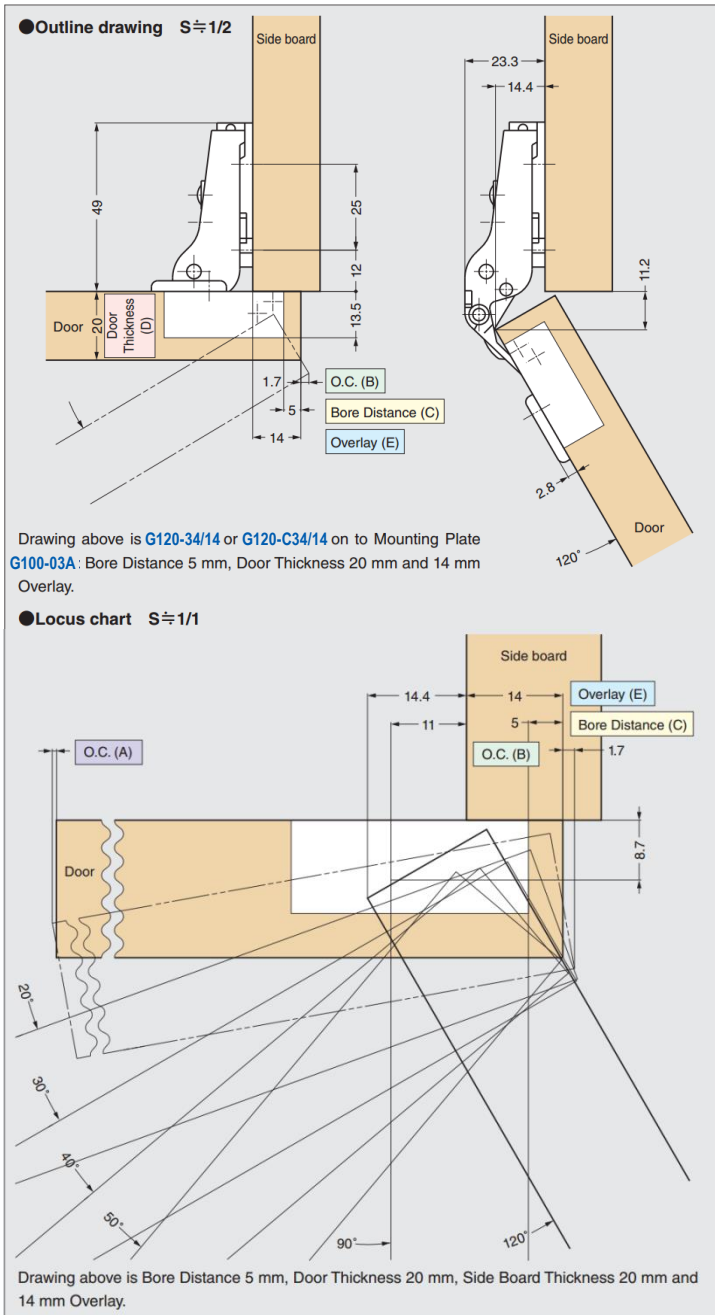
Sold Separately

- Mounting plate (G100 series)



Above picture shows concealed hinge + mounting plate (sold separately)

Part No.	Type	Material	Finish
G120-34/14	Without Catch	Body: Steel Cup: Zinc Alloy (ZDC)	Chrome
G120-C34/14	With Catch		



■ Bore Distance (C)

Bore Distance (C)	3	4	5
Overlay (E)	12	13	14

For standard type mounting plate 0 mm thickness.

Turning the overlay adjustment screw or using distance plate (2 mm thickness) to adjust overlay (Max. - 6 mm).

■ Opening Clearance (O.C.)

Clearances for door edge O.C. (A) and hinge side O.C. (B) are necessary. O.C. (A) and (B) change depending on door thickness and bore distance (C). Refer to locus chart and tables below when designing cabinets.

■ O.C. (B)

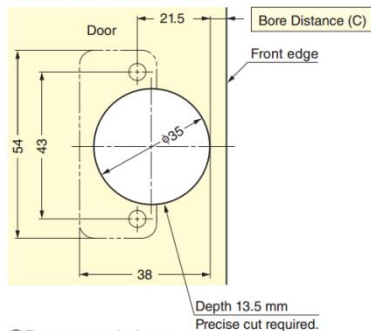
Door Thickness (D)	Bore Distance (C)		
	3	4	5
17	1.1	1.1	1.1
18	1.3	1.3	1.3
19	1.5	1.5	1.5
20	2.7	2.0	1.7
21	4.5	3.7	2.7
22	6.5	5.5	4.5
O.C. (B)			

Please refer to the locus chart if door thickness is over 20 mm.

■ O.C. (A)

Door Thickness (D)	Door Width			
	300	400	500	600
20	0.1	0.1	0.1	0.1
O.C. (A)				

■ Cut Out Dimensions



● Recommended screw

Size 3.5 raised countersunk head tapping screw or wood screw.

G120-9 Concealed Hinge

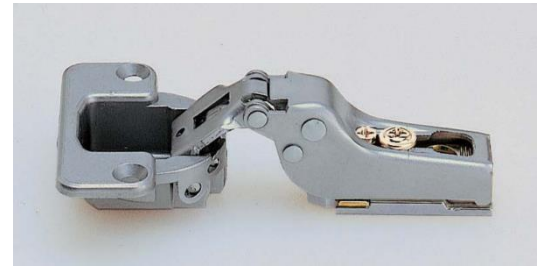
120° opening · 9 mm overlay · Overlay 4 ~ 9 mm
Door thickness 17 ~ 20 mm

Features

- Screw mount

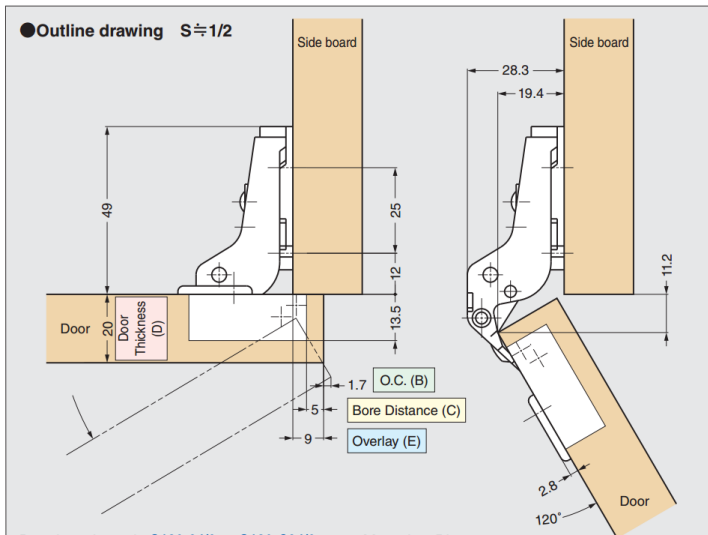
Sold Separately

- Mounting plate (G100 series)



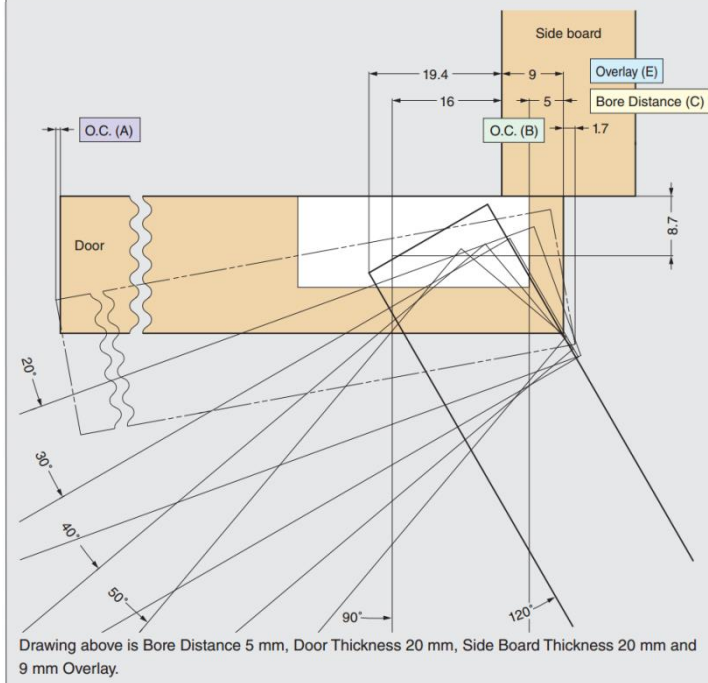
Above picture shows concealed hinge + mounting plate (sold separately)

Part No.	Type	Material	Finish
G120-34/9	Without Catch	Body: Steel Cup: Zinc Alloy (ZDC)	Chrome
G120-C34/9	With Catch		



Drawing above is G120-34/9 or G120-C34/9 on to Mounting Plate G100-03A: Bore Distance 5 mm, Door Thickness 20 mm and 9 mm Overlay.

● Locus chart S ≅ 1/1



■ Bore Distance (C)

Bore Distance (C)	3	4	5
Overlay (E)	7	8	9

For standard type mounting plate 0 mm thickness.
Turning the overlay adjustment screw or using distance plate (2 mm thickness) to adjust overlay (Max. - 6 mm).

■ Opening Clearance (O.C.)

Clearances for door edge O.C. (A) and hinge side O.C. (B) are necessary. O.C. (A) and (B) change depending on door thickness and bore distance (C). Refer to locus chart and tables below when designing cabinets.

■ O.C. (B)

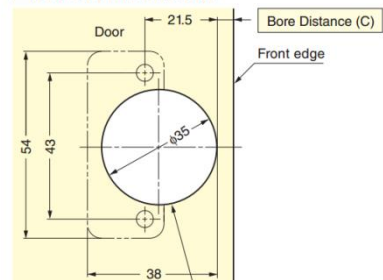
Door Thickness (D)	Bore Distance (C)		
	3	4	5
17	1.1	1.1	1.1
18	1.3	1.3	1.3
19	1.5	1.5	1.5
20	2.7	2.0	1.7
21	4.5	3.7	2.7
22	6.5	5.5	4.5
O.C. (B)			

Please refer to the locus chart if door thickness is over 20 mm.

■ O.C. (A)

Door Thickness (D)	Door Width			
	300	400	500	600
20	0.1	0.1	0.1	0.1
O.C. (A)				

■ Cut Out Dimensions



- Recommended screw
Size 3.5 raised countersunk head tapping screw or wood screw.

G120-0 Concealed Hinge

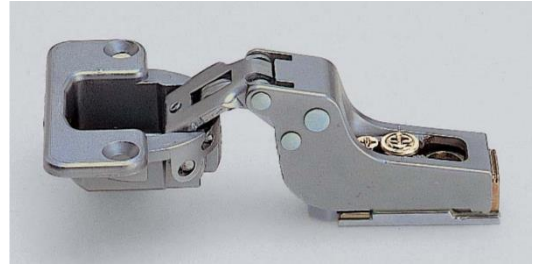
110° opening · Inset
Door thickness 17 ~ 20 mm

Features

- Screw mount

Sold Separately

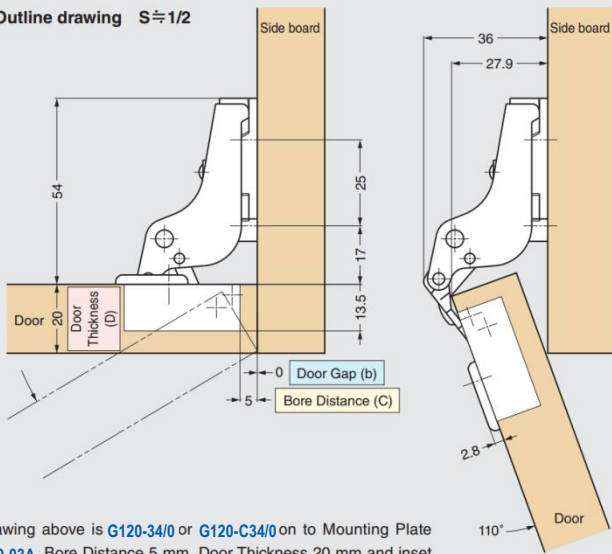
- Mounting plate (G100 series)



Above picture shows concealed hinge + mounting plate (sold separately)

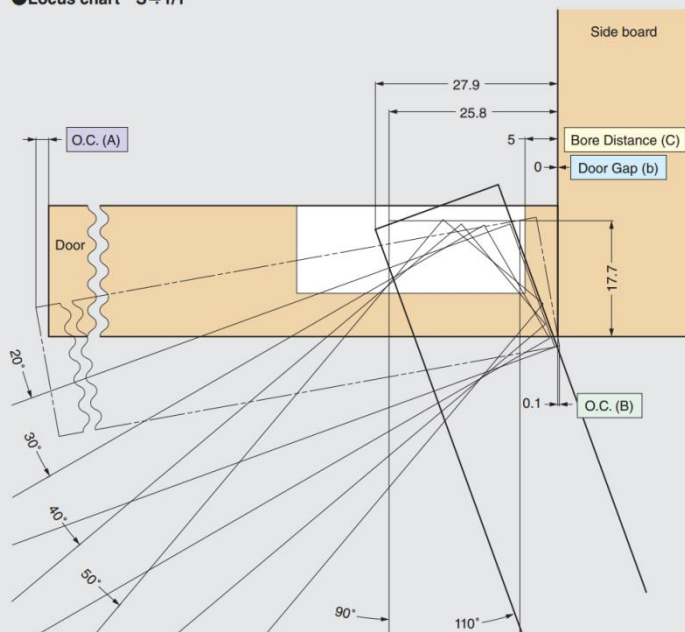
Part No.	Type	Material	Finish
G120-34/0	Without Catch	Body: Steel Cup: Zinc Alloy (ZDC)	Chrome
G120-C34/0	With Catch		

● Outline drawing S ≅ 1/2



Drawing above is G120-34/0 or G120-C34/0 on to Mounting Plate G100-03A Bore Distance 5 mm, Door Thickness 20 mm and inset use.

● Locus chart S ≅ 1/1



Drawing above is Bore Distance 5 mm, Door Thickness 20 mm, Side Board Thickness 20 mm and inset type.

■ Bore Distance (C)

Bore Distance (C)	3	4	5
Door Gap (b)	2	1	0

For standard type mounting plate 0 mm thickness.
Turning the overlay adjustment screw to adjust the gap.

■ Opening Clearance (O.C.)

Clearances for door edge O.C. (A) and hinge side O.C. (B) are necessary. O.C. (A) and (B) change depending on door thickness and bore distance (C). Refer to locus chart and tables below when designing cabinets.

■ O.C. (B)

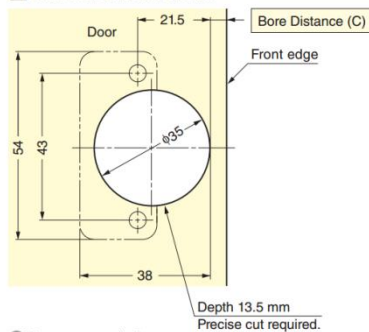
Door Thickness (D)	Bore Distance (C)		
	3	4	5
17	0.1	0.1	0.1
18	0.1	0.1	0.1
19	0.5	0.1	0.1
20	2.0	1.0	0.1
21	3.5	2.6	1.5
22	5.0	4.0	3.0
O.C. (B)			

Please refer to the locus chart if door thickness is over 20 mm.

■ O.C. (A)

Door Thickness (D)	Door Width			
	300	400	500	600
20	0.55	0.4	0.35	0.3
O.C. (A)				

■ Cut Out Dimensions



● Recommended screw

Size 3.5 raised countersunk head tapping screw or wood screw.

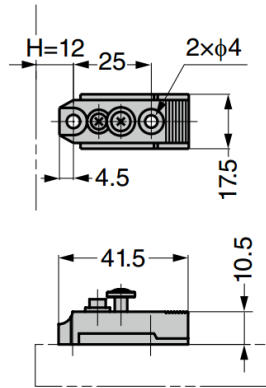
G100-01 Mounting Plate

Features

- Standard height: 0 mm
- Value of H: Door thickness + 17 mm in use of INSET type (Door thickness + 12 mm in use of INSET type of GH160 or G170 hinge)

Recommended Screws

- Size 3.5 tapping screw or wood screw (do not use countersunk head screws)



Part No.	Material	Colour
G100-01	PA	Ivory

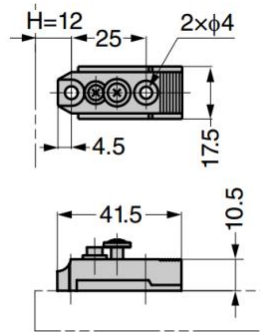
G100-03 Mounting Plate

Features

- Standard height: 0 mm
- Value of H: Door thickness + 17 mm in use of INSET type (Door thickness + 12 mm in use of INSET type of GH160 or G170 hinge)

Recommended Screws

- Size 3.5 tapping screw or wood screw (do not use countersunk head screws)



Part No.	Material	Finish
G100-03	Zinc Alloy (ZDC)	Satin Chrome

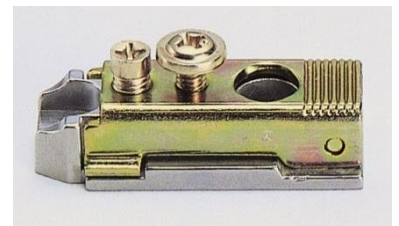
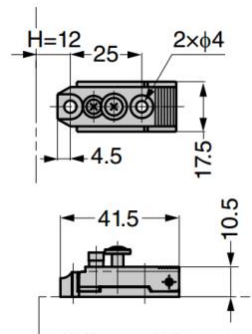
G100-03A Mounting Plate

Features

- Overlay adjustable
- Standard height: 0 mm
- Value of H: Door thickness + 17 mm in use of INSET type (Door thickness + 12 mm in use of INSET type of GH160 or G170 hinge)

Recommended Screws

- Size 3.5 tapping screw or wood screw (do not use countersunk head screws)



Part No.	Material	Finish
G100-03A	Zinc Alloy (ZDC) / Steel	Nickel / Coloured Zinc Chromate

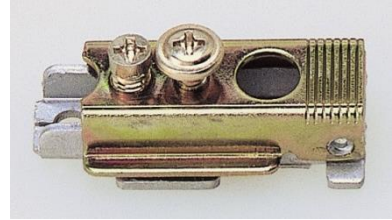
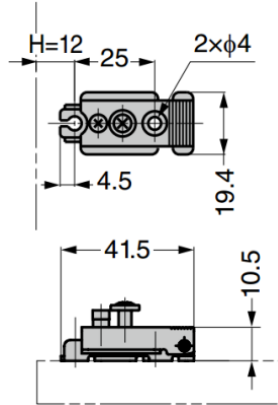
G100-P3A Mounting Plate

Features

- Overlay adjustable
- Standard height: 0 mm
- Value of H: Door thickness + 17 mm in use of INSET type (Door thickness + 12 mm in use of INSET type of GH160 or G170 hinge)

Recommended Screws

- Size 3.5 tapping screw or wood screw (do not use countersunk head screws)



Part No.	Material	Finish
G100-P3A	Steel	Satin Chrome / Coloured Zinc Chromate

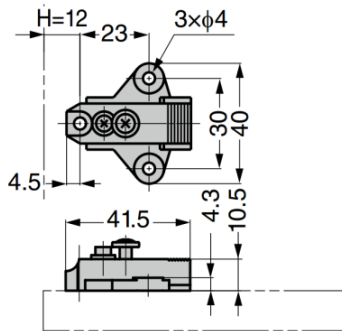
G100-02-30 Mounting Plate

Features

- Standard height: 0 mm
- Value of H: Door thickness + 17 mm in use of INSET type (Door thickness + 12 mm in use of INSET type of GH160 or G170 hinge)

Recommended Screws

- Size 3.5 tapping screw or wood screw (do not use countersunk head Screws)



Part No.	Material	Colour
G100-02-30	PA	Ivory

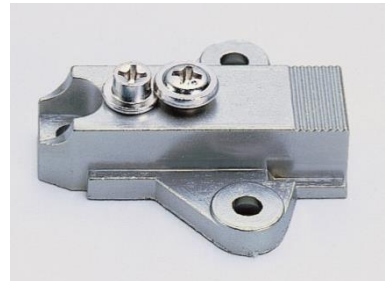
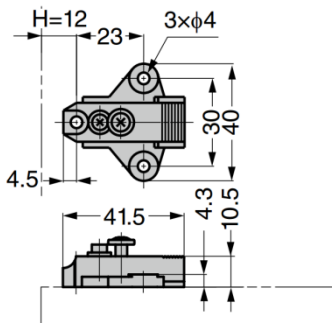
G100-04-30 Mounting Plate

Features

- Standard height: 0 mm
- Value of H: Door thickness + 17 mm in use of INSET type (Door thickness + 12 mm in use of INSET type of GH160 or G170 hinge)

Recommended Screws

- Size 3.5 tapping screw or wood screw (do not use countersunk head screws)



Part No.	Material	Finish
G100-04-30	Zinc Alloy (ZDC)	Satin Chrome

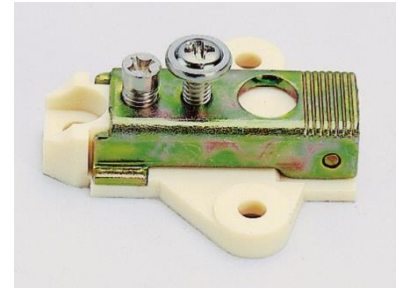
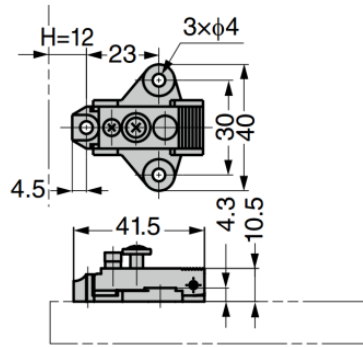
G100-02A-30 Mounting Plate

Features

- Overlay adjustable
- Standard height: 0 mm
- Value of H: Door thickness + 17 mm in use of INSET type (Door thickness + 12 mm in use of INSET type of GH160 or G170 hinge)

Recommended Screws

- Size 3.5 tapping screw or wood screw (do not use countersunk head screws)



Part No.	Material	Finish / Colour
G100-02A-30	PA / Steel	Ivory / Coloured Zinc Chromate

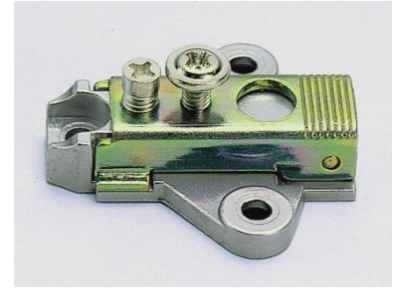
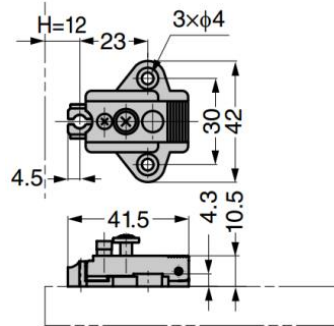
G100-04A-30 Mounting Plate

Features

- Overlay adjustable
- Standard height: 0 mm
- Value of H: Door thickness + 17 mm in use of INSET type (Door thickness + 12 mm in use of INSET type of GH160 or G170 hinge)

Recommended Screws

- Size 3.5 tapping screw or wood screw (do not use countersunk head screws)



Part No.	Material	Finish
G100-04A-30	Zinc Alloy (ZDC) / Steel	Satin Chrome / Coloured Zinc Chromate

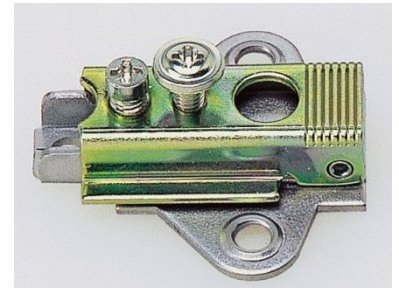
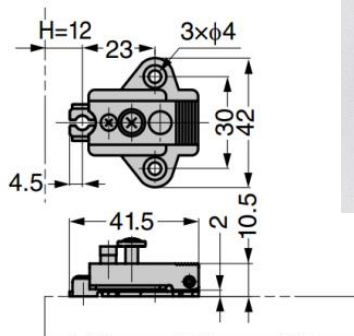
G100-P4A-30 Mounting Plate

Features

- Overlay adjustable
- Standard height: 0 mm
- Value of H: Door thickness + 17 mm in use of INSET type (Door thickness + 12 mm in use of INSET type of GH160 or G170 hinge)

Recommended Screws

- Size 3.5 tapping screw or wood screw (do not use countersunk head screws)



Part No.	Material	Finish
G100-P4A-30	Steel	Satin Chrome / Coloured Zinc Chromate

G100-04W-30 Mounting Plate

Features

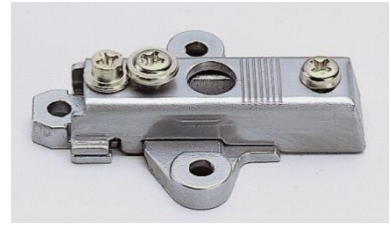
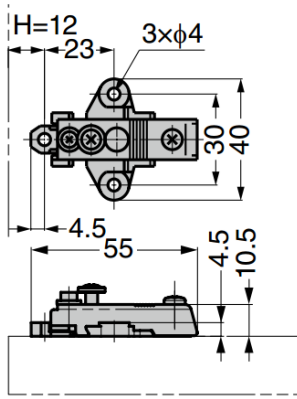
- Height adjustable (± 1.5)
- Standard height: 0 mm
- Value of H: Door thickness + 17 mm in use of INSET type (Door thickness + 12 mm in use of INSET type of GH160 or G170 hinge)

Notes

- When using a concealed hinge with wide angle opening, vertical adjustment screw is difficult to adjust

Recommended Screws

- Size 3.5 tapping screw or wood screw (do not use countersunk head screws)



Part No.	Material	Finish
G100-04W-30	Zinc Alloy (ZDC) / Steel	Satin Chrome

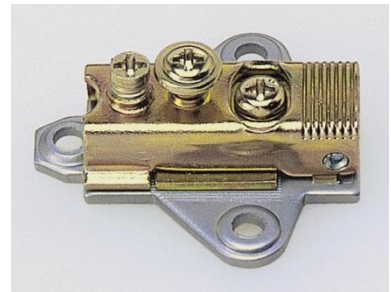
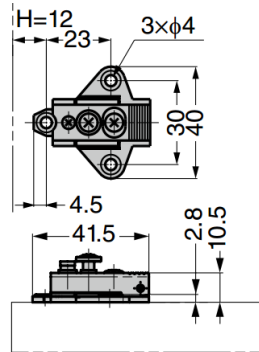
G100-04A-W-30 Mounting Plate

Features

- Height adjustable (± 1.5)
- Standard height: 0 mm
- Value of H: Door thickness + 17 mm in use of INSET type (Door thickness + 12 mm in use of INSET type of GH160 or G170 hinge)

Recommended Screws

- Size 3.5 tapping screw or wood screw (do not use countersunk head screws)



Part No.	Material	Finish
G100-04A-W-30	Steel	Satin Chrome / Coloured Zinc Chromate

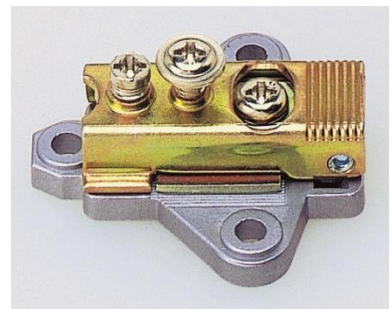
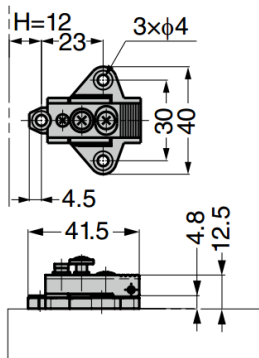
G100-04A-W-30-2 Mounting Plate

Features

- Overlay and height adjustable (± 1.5)
- Height: 2 mm
- Used to make overlay 2 mm smaller
- Value of H: Door thickness + 17 mm in use of INSET type (Door thickness + 12 mm in use of INSET type of GH160 or G170 hinge)

Recommended Screws

- Size 3.5 tapping screw or wood screw (do not use countersunk head screws)



Part No.	Material	Finish
G100-04A-W-30-2	Zinc Alloy (ZDC) / Steel	Satin Chrome / Coloured Zinc Chromate

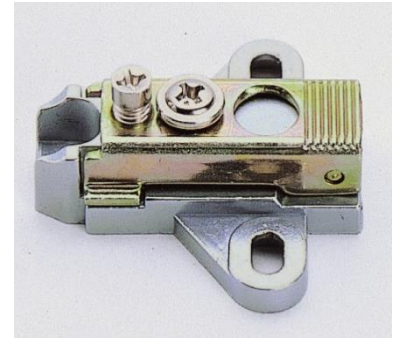
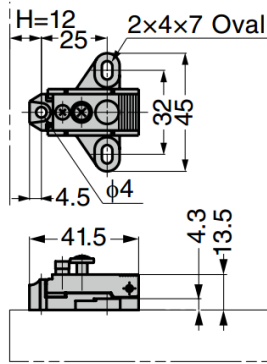
G100-04A-32-3 Mounting Plate

Features

- Overlay adjustable
- Height: 3 mm
- Used to make overlay 3 mm smaller
- Value of H: Door thickness + 17 mm in use of INSET type (Door thickness + 12 mm in use of INSET type of GH160 or G170 hinge)

Recommended Screws

- Size 3.5 tapping screw or wood screw (do not use countersunk head screws)



Part No.	Material	Finish
G100-04A-32-3	Zinc Alloy (ZDC) / Steel	Satin Chrome / Coloured Zinc Chromate

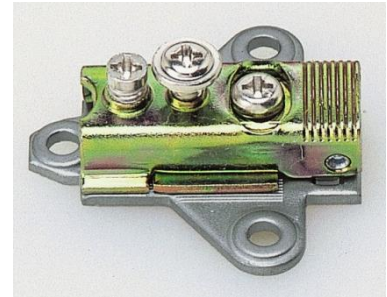
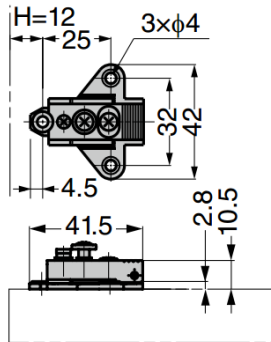
G100-04A-W-32 Mounting Plate

Features

- Overlay and height adjustable (± 1.5)
- Standard height: 0 mm
- Value of H: Door thickness + 17 mm in use of INSET type (Door thickness + 12 mm in use of INSET type of GH160 or G170 hinge)

Recommended Screws

- Size 3.5 tapping screw or wood screw (do not use countersunk head screws)



Part No.	Material	Finish
G100-04A-W-32	Steel	Satin Chrome / Coloured Zinc Chromate

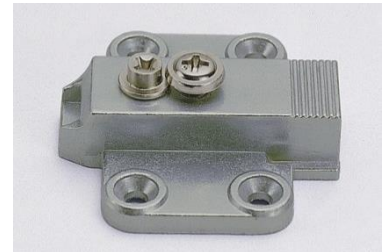
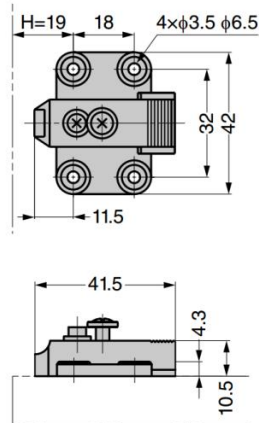
G100-06 Mounting Plate

Features

- Standard height: 0 mm
- Value of H: Door thickness + 24 mm in use of INSET type (Door thickness + 19 mm in use of INSET type of GH160 or G170 hinge)

Recommended Screws

- Size 3.1 countersunk head screw



Part No.	Material	Finish
G100-06	Zinc Alloy (ZDC)	Satin Chrome

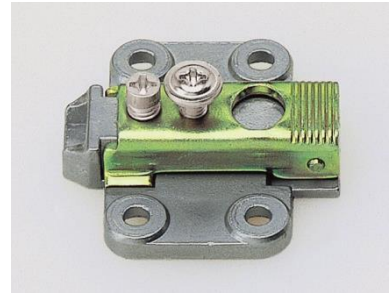
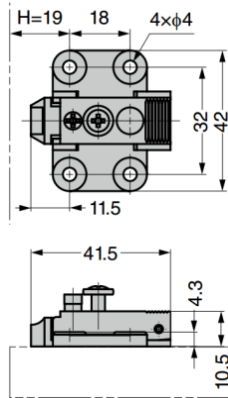
G100-06A Mounting Plate

Features

- Overlay adjustable
- Standard height: 0 mm
- Value of H: Door thickness + 24 mm in use of INSET type (Door thickness + 19 mm in use of INSET type of GH160 or G170 hinge)

Recommended Screws

- Size 3.5 tapping screw or wood screw (do not use countersunk head screws)



Part No.	Material	Finish
G100-06A	Zinc Alloy (ZDC) / Steel	Satin Chrome / Coloured Zinc Chromate

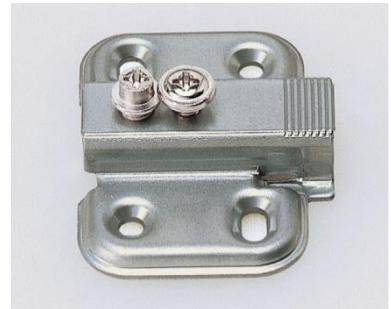
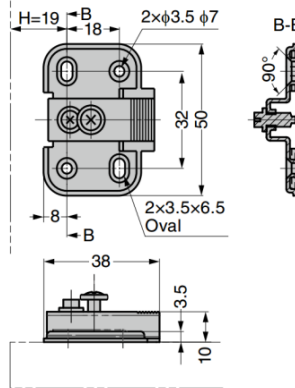
G100-P6 Mounting Plate

Features

- Standard height: 0 mm
- Value of H: Door thickness + 24 mm in use of INSET type (Door thickness + 19 mm in use of INSET type of GH160 or G170 hinge)

Recommended Screws

- Size 3.1 countersunk head screw



Part No.	Material	Finish
G100-P6	Steel	Satin Chrome

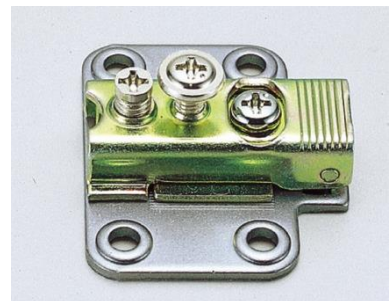
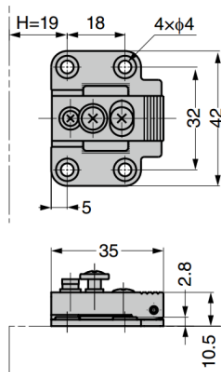
G100-06AW Mounting Plate

Features

- Overlay and height adjustable (± 1.5)
- Standard height: 0 mm
- Value of H: Door thickness + 24 mm in use of INSET type (Door thickness + 19 mm in use of INSET type of GH160 or G170 hinge)

Recommended Screws

- Size 3.5 tapping screw or wood screw (do not use countersunk head screws)



Part No.	Material	Finish
G100-06AW	Steel	Satin Chrome / Coloured Zinc Chromate

G100-DP2 Spacer for G100 Series Mounting Plate

2mm thickness

Features

- Used to make overlay 2mm smaller

Use with the Following Mounting Plates

G100-01	G100-03
G100-03A	G100-P3A
G100-P3A-SUS304B	



Part No.	Material	Colour
G100-DP2	PA	Ivory

G100-DP2-30 Spacer for G100 Series Mounting Plate

2mm thickness

Features

- Used to make overlay 2mm smaller

Use with the Following Mounting Plates

G100-02-30	G100-02A-30
G100-04-30	G100-04A-30
G100-04W-30	G100-P4A-30
G100-04A-W-30	G100-04A-W-30-2
G100-P4A-30-SUS304B	



Part No.	Material	Colour
G100-DP2-30	PA	Ivory

G100-DP2-32 Spacer for G100 Series Mounting Plate

2mm thickness

Features

- Used to make overlay 2mm smaller

Use with the Following Mounting Plates

G100-04A-32-3	G100-04A-W-32
G100-P4A-32-SUS304B	



Part No.	Material	Colour
G100-DP2-32	PA	Ivory

G100-DP2-06 Spacer for G100 Series Mounting Plate

2mm thickness

Features

- Used to make overlay 2mm smaller

Notes

- When used for G100-06AW, it may partially protrude

Use with the Following Mounting Plates

G100-06	G100-06AW
G100-06A	



Part No.	Material	Colour
G100-DP2-06	PA	Ivory

Jig For Mounting Plate

For wooden overlay door

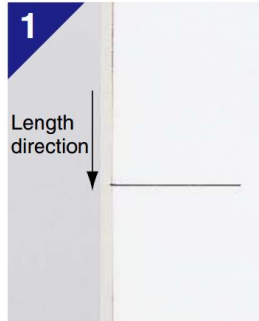
Use with the Following Mounting Plates	
G100-01	G100-03
G100-03A	G100-02-30
G100-04-30	G100-02A-30
G100-04A-30	G100-04A-W-30
G100-04A-W-30-3	G100-04A-32-3
G100-04A-W-32	

Notes

- Cannot be used for inset type mounting plates



[How to Install]



- Draw a line at the centre of the mounting plate installation position (length direction) on side board etc. If you want to erase the line later, drawing on the edge of side board is recommended.



- Align the V-groove of the jig with the line.



- Insert the mounting plate into the jig for correct installation position. Optionally, insert the mounting plate into the jig and then align with the line (in reverse order of ② and ③).



- Hold the jig while fixing the mounting plate with a screw.

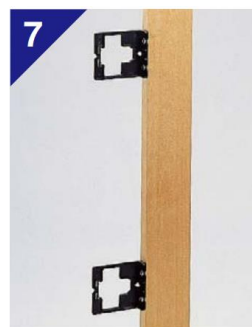
[Other Examples]



- Can also be used with mounting plates designed for system type.



- Mark the holes for easy installation.



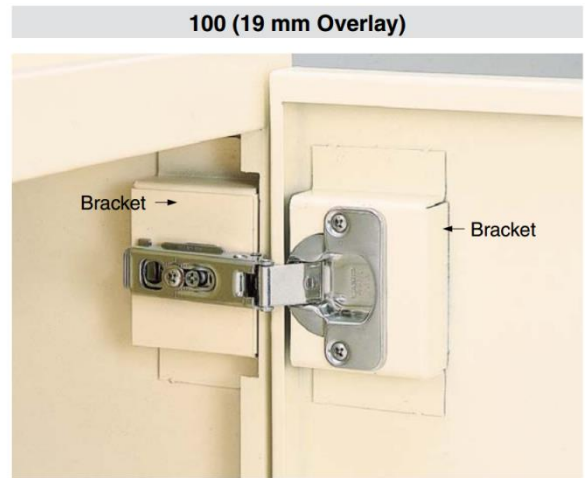
- Attach the jig to a bar when installing several mounting plates at the same time.



- The bar will help you decide the correct distance between the plates.

Examples of Installation to Sheet Metal (Brackets not included)

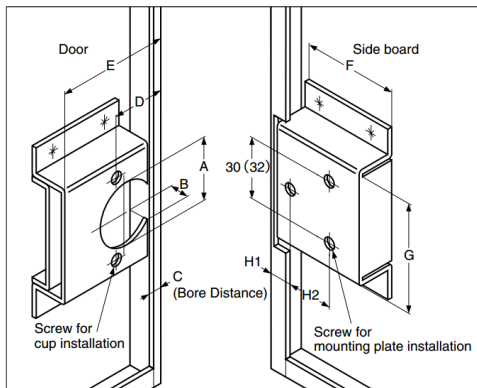
Concealed hinges can also be used for metal cabinets



[Bracket Installation]

Refer to this example and install brackets to the inner side of door and cabinet side board.

Customer should provide brackets.



Size A: Cup diameter ($\phi 26$, $\phi 35$, or $\phi 40$)

Size B: Bore depth (Be sure to support cup bottom)

Size C: Bore distance

Size D: Distance from door edge to cup mounting screw

Size E: More than distance from door edge to tip of cup flange.

● For details, refer to the content page of each hinge.

Size F: More than total length of mounting plate.

Size G: More than width of mounting plate.

Size H₁, H₂: Installation position size from edge of mounting plate.

● For details, refer to the content page of the mounting plate of hinge used.

Bracket for Mounting Plate Installation



Bracket for Cup Installation

